

# CLARKE®



## TWIN LED WORKLIGHT(230V)

MODEL NO: SMDT5400

PART NO: 4003642

## USER INSTRUCTIONS

UK  
CA | CE



ORIGINAL INSTRUCTIONS

GC0125

---

## INTRODUCTION

---

Thank you for purchasing this CLARKE portable LED worklight which can be used either indoors or outdoors. Before attempting to use this product, please read this manual thoroughly and follow the instructions carefully. In doing so you will ensure the safety of yourself and that of others around you, and you can look forward to your purchase giving you long and satisfactory service.

---

## TECHNICAL INFORMATION

---

<b>Model</b>	<b>SMDT5400</b>
Dimensions (L x W x H)	780 x 780 x 1030 mm (min) 780 x 780 x 1840 mm (max)
Weight	4.0 kg
Tilt adjustment	-90 to +90 degrees
Light Source	SMD LED array
Operating Temperature	-10 to + 45°C
Input power	2 x 30 W
Light Output (luminous flux)	5400 @ 1m (lumens)
Fuse Rating	3 A
Power Supply	230V - 50Hz
Insulation Class	Class 1
IP Rating	IP65
Energy Efficiency Class	F
Efficiency	90 Lm/W
Colour Temperature	6500 K
Weighted Energy Consumption	30 kWh/1000 h
Life expectancy of LED	30,000 hours

---

## **SAFETY PRECAUTIONS**

---

1. This worklight must not be immersed in water.
2. **DO NOT** look directly into the lamp when switched on as this can damage the eyes.
3. **DO NOT** use this worklight if it has a broken lens, casing or damaged cable.
4. **ALWAYS** unplug the worklight before moving it or performing maintenance. **DO NOT** touch the lamp when your hands are wet.
5. **DO NOT** attempt to disassemble or repair the worklight.
6. **DO NOT** leave the worklight unattended when switched on. **ALWAYS** unplug the worklight when it is not in use.
7. **NEVER** unplug by holding the cable. Unplug by holding the plug.
8. **ALWAYS** use the worklight if the cable or plug are damaged.
9. When assembling the tripod, ensure that the ground is level and firm.
10. Take extra care not to push or knock the tripod over when fully extended.
11. Ensure the lamp is a safe distance from other objects in the working space.

## **GUARANTEE**

This product is guaranteed against faulty manufacture for a period of 12 months from the date of purchase. Please keep your receipt which will be required as proof of purchase.

This guarantee is invalid if the product is found to have been abused or tampered with in any way, or not used for the purpose for which it was intended.

Faulty goods should be returned to their place of purchase, no product can be returned to us without prior permission. This guarantee does not effect your statutory rights.

## **ENVIRONMENTAL RECYCLING POLICY**



Through purchase of this product, the customer is taking on the obligation to deal with WEEE in accordance with the WEEE regulations in relation to the treatment, recycling, recovery & environmentally sound disposal of the WEEE.

This means that this product must not be disposed of with general household waste. It must be disposed of according to the laws governing Waste Electrical and Electronic Equipment (WEEE) at a recognised disposal facility.

# ELECTRICAL CONNECTIONS




**WARNING: READ THESE ELECTRICAL SAFETY INSTRUCTIONS THOROUGHLY BEFORE CONNECTING THE PRODUCT TO THE MAINS SUPPLY.**

Before switching the product on, make sure that the voltage of your electricity supply is suitable. This product is designed to operate on 230VAC 50Hz. Connecting it to any other power source may cause damage.

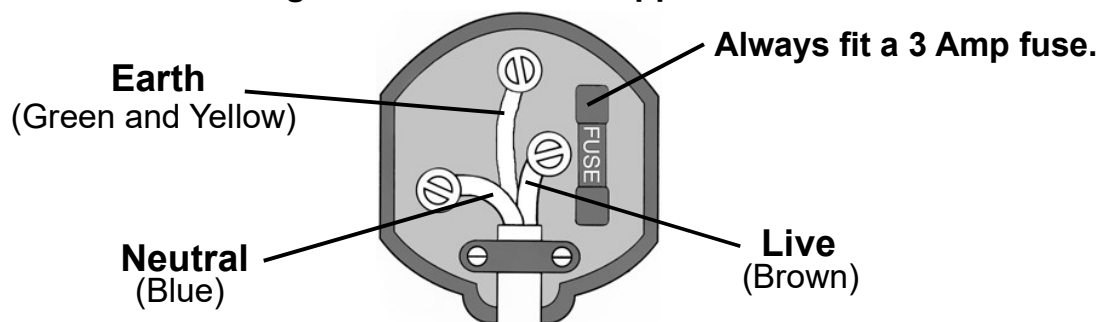
This product may be fitted with a non-re-wireable plug. If it is necessary to change the fuse in the plug, the fuse cover must be refitted. If the fuse cover becomes lost or damaged, the plug must not be used until a suitable replacement is obtained.

If the plug has to be changed because it is not suitable for your socket or due to damage, it should be cut off and a replacement fitted, following the wiring instructions shown below. The old plug must be disposed of safely as insertion into a mains socket could cause an electrical hazard.

If the colours of the wires in the power cable of this product do not correspond with the markings on the terminals of your plug, proceed as follows.

- The **Blue** wire must be connected to the terminal marked **N** or coloured **Black**.
- The **Brown** wire must be connected to the terminal marked **L** or coloured **Red**.
- The **Yellow and Green** wire must be connected to the terminal marked **E** or  or coloured **Green**.

**Plug must be BS1363/A approved.**



**Ensure that the outer sheath of the cable is firmly held by the clamp**

**We strongly recommend that this machine is connected to the mains supply via a Residual Current Device (RCD)**

If in any doubt, consult a qualified electrician. **DO NOT** attempt any repairs yourself.

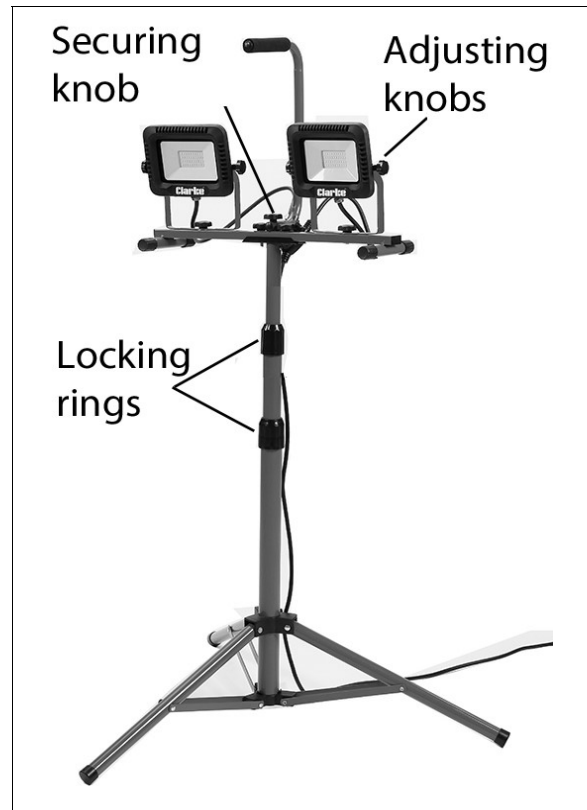
---

## MOUNTING ON THE TRIPOD

---

The tripod stand is supplied fully assembled.

1. Pull the legs apart to erect the tripod and set in position.
2. Adjust the height of the tripod column by twisting the locking rings anti-clockwise to release and sliding the tubes to the required height before twisting clockwise to lock.
3. Attach the worklamp to the column by securing with the screw knob.
  - The worklamp can be swivelled if required by loosening the knob.
4. Tighten the hinge bolts on either side of the lamp to set the angle of elevation as required.
5. Alternatively, set the lamp in position on a flat surface as a free-standing unit.



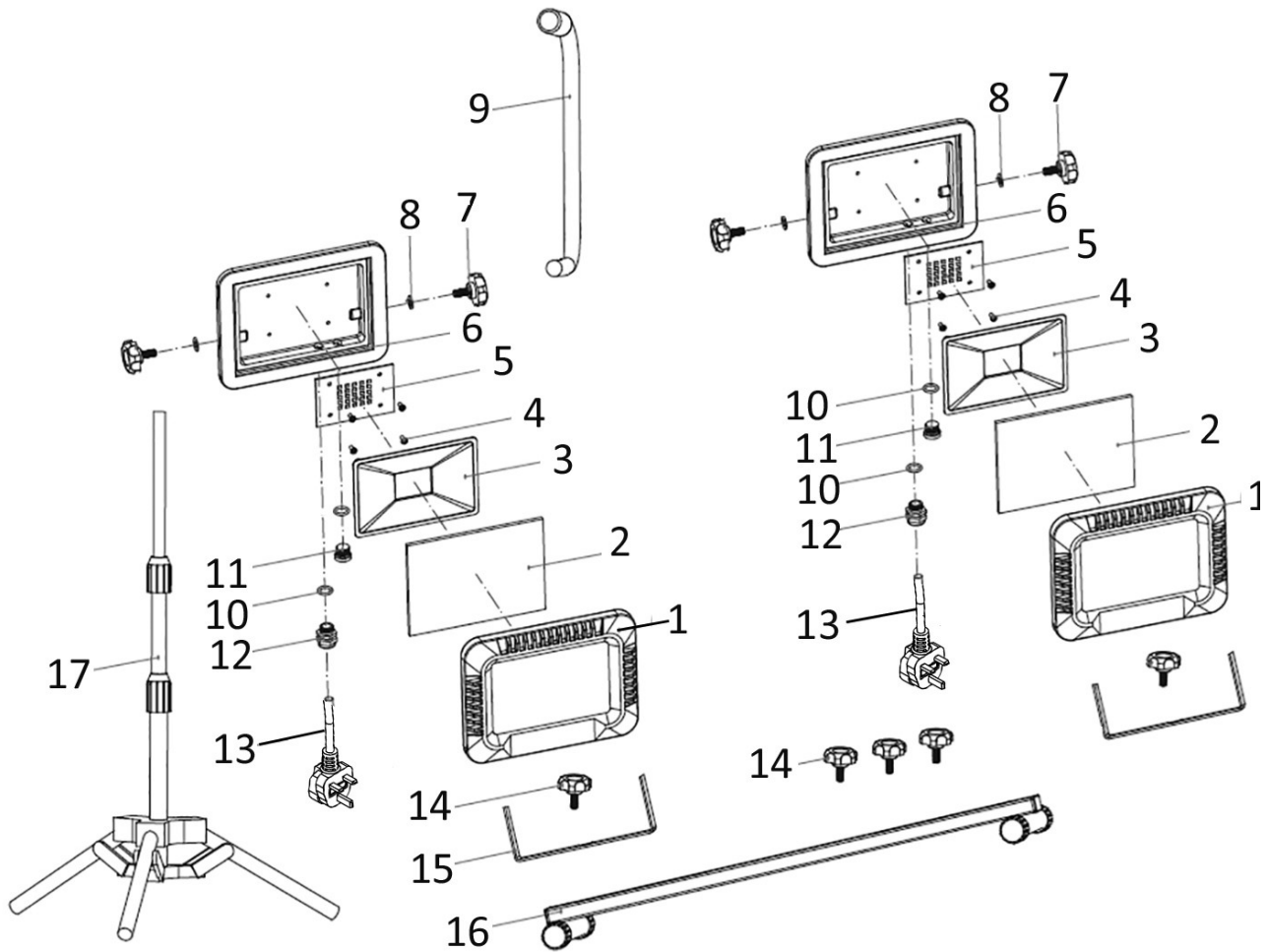
---

## CARE & STORAGE

---

1. When not in use, switch off & unplug from the power supply.
2. Store this product in a secure, dry place, out of the reach of children. **DO NOT** leave it exposed to the elements and avoid direct sunlight, direct heat, rain/moisture etc.
3. Keep the external surfaces clean. Avoid impact damage & **DO NOT** allow this product to come into contact with abrasive or corrosive materials.
4. **DO NOT** use solvents, thinners or alcohol for cleaning, as these chemicals will damage the finish. With the lamp unplugged from the power supply, use a dry cloth to wipe over the lamp components.
5. Only use extension leads that are of an appropriate power rating and suitable for the work environment. Inspect the extension lead regularly and replace if damaged.
6. The LED light source (Epistar LED chip) cannot be replaced but has a life expectancy of approximately 30,000 hours.
7. **DO NOT** attempt to repair or modify this product or attempt any electrical repair yourself. Consult the CLARKE Service Department.

# COMPONENT PARTS



1	Face frame
2	4mm glass
3	Reflector
4	Screw M3 x 6
5	LED panel
6	Housing
7	Angle adjusting knob
8	Washer M6
9	Handle

10	O-ring
11	End cap
12	Cable gland
13	Cable with plug
14	Locking knob M6
15	Lower bracket
16	H-stand
17	Tripod stand

# DECLARATIONS OF CONFORMITY



Hemmall Street, Epping, Essex, CM16 4LG

## DECLARATION OF CONFORMITY

This is an important document and should be retained.

We hereby declare that this product(s) complies with the following legislation:

- The Ecodesign for Energy-Related Products Regulations 2010*
- The Electromagnetic Compatibility Regulations 2016*
- The Electrical Equipment (Safety) Regulations 2016*
- The Restriction of the Use of Certain Hazardous Substances in Electrical and Electronic Equipment Regulations 2012*

The following standards have been applied to the product(s):

- EN IEC 61000-3-2:2019+A1:2021, EN 61000-3-3:2013+A1:2019, EN 62321-2:2014, EN 61547:2009,*
- EN IEC 60598-1:2021, EN 60598-2-5:2015, EN 62321-3-1:2014, EN 62321-8:2017, EN 62493:2015,*
- EN IEC 55015:2019+A11:2020, EN 62321-6:2015*

The technical documentation required to demonstrate that the product(s) meet(s) the requirement(s) of the aforementioned legislation has been compiled and is available for inspection by the relevant enforcement authorities.

The UKCA mark was first applied in: 2024

Product Description: LED Light  
Model Number(s): SMDT5400  
Serial/Batch Number: Refer to product/packaging label  
Date of Issue: 08/10/2024

Signed:

J.A. Clarke  
Director

SMDT5400 UKCA Clarke DOC 100824

Page 1 of 1



Fitzwilliam Hall, Fitzwilliam Place, Dublin 2

## DECLARATION OF CONFORMITY

This is an important document and should be retained.

We hereby declare that this product(s) complies with the following legislation:

- Ecodesign Directive*
- Electromagnetic Compatibility Directive*
- Low Voltage Directive*
- Restriction of Hazardous Substances (RoHS) Directive*

The following standards have been applied to the product(s):

- EN IEC 61000-3-2:2019+A1:2021, EN 61000-3-3:2013+A1:2019, EN 62321-2:2014, EN 61547:2009,*
- EN IEC 60598-1:2021, EN 60598-2-5:2015, EN 62321-3-1:2014, EN 62321-8:2017, EN 62493:2015,*
- EN IEC 55015:2019+A11:2020, EN 62321-6:2015*

The technical documentation required to demonstrate that the product(s) meet(s) the requirement(s) of the aforementioned legislation has been compiled and is available for inspection by the relevant enforcement authorities.

The CE mark was first applied in: 2024

Product Description: LED Light  
Model Number(s): SMDT5400  
Serial/Batch Number: Refer to product/packaging label  
Date of Issue: 08/10/2024

Signed:

J.A. Clarke  
Director

SMDT5400 CE Clarke UCC 100824

Page 1 of 1

# A SELECTION FROM THE VAST RANGE OF

# Clarke®

## QUALITY PRODUCTS



### AIR COMPRESSORS

From DIY to industrial, Plus air tools, spray guns and accessories.

### GENERATORS

Prime duty or emergency standby for business, home and leisure.

### POWER WASHERS

Hot and cold, electric and engine driven - we have what you need

### WELDERS

Mig, Arc, Tig and Spot. From DIY to auto/industrial.

### METALWORKING

Drills, grinders and saws for DIY and professional use.

### WOODWORKING

Saws, sanders, lathes, mortisers and dust extraction.

### HYDRAULICS

Cranes, body repair kits, transmission jacks for all types of workshop use.

### WATER PUMPS

Submersible, electric and engine driven for DIY, agriculture and industry.

### POWERTOOLS

Angle grinders, cordless drill sets, saws and sanders.

### STARTERS/CHARGERS

All sizes for car and commercial use.

## PARTS & SERVICE: 0208 988 7400

**Parts Enquiries**  
[Parts@clarkeinternational.com](mailto:Parts@clarkeinternational.com)

**Servicing & Technical Enquiries**  
[Service@clarkeinternational.com](mailto:Service@clarkeinternational.com)

SALES: UK 01992 565333 or Export 00 44 (0)1992 565335

**Clarke** INTERNATIONAL Hemnall Street, Epping, Essex CM16 4LG  
[www.clarkeinternational.com](http://www.clarkeinternational.com)